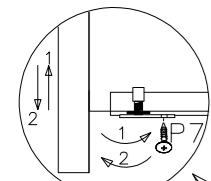
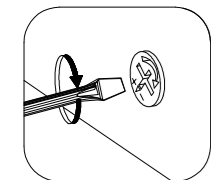
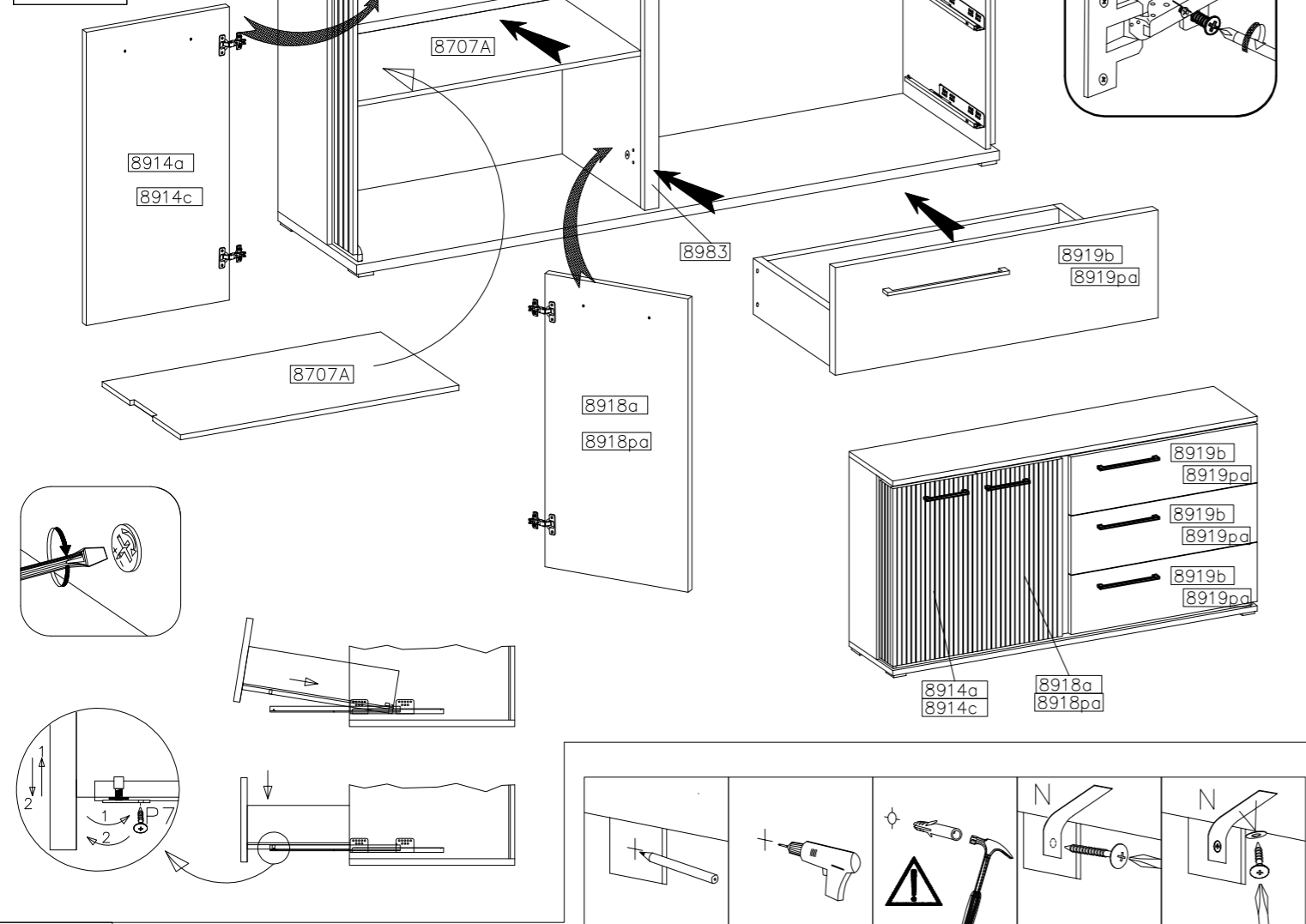


16

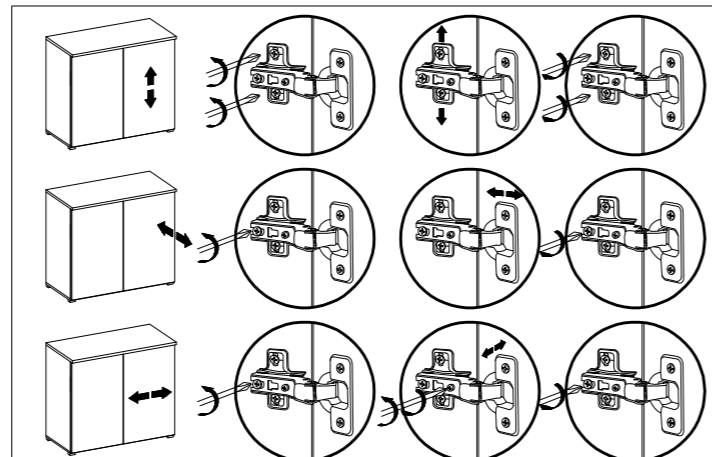
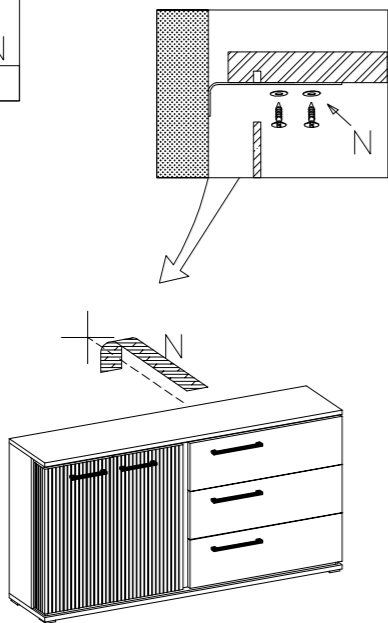
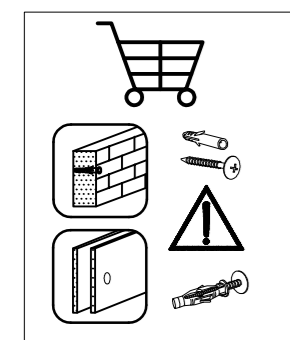
ø3.0x20mm  
P7  
6

E  
4



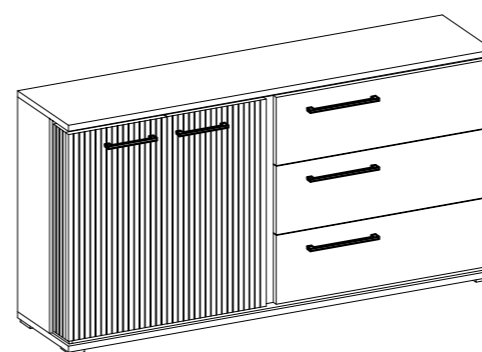
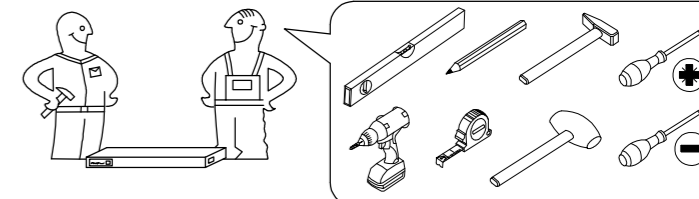
17

ø3.5x16mm  
N  
1

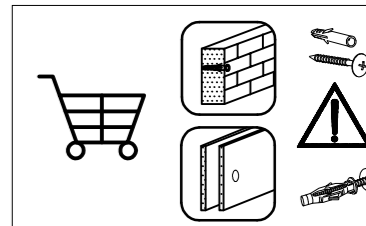
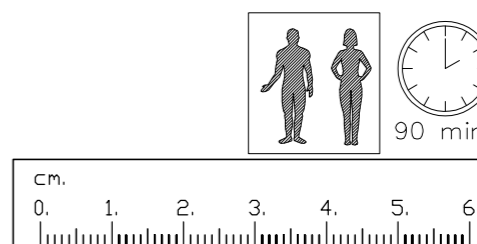
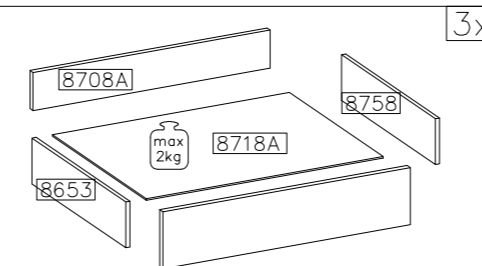
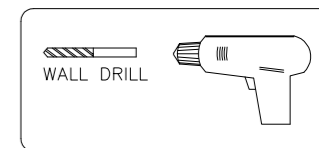
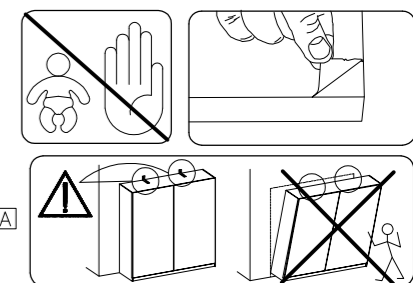
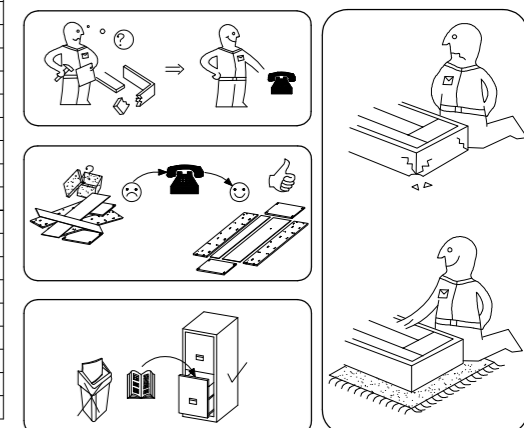
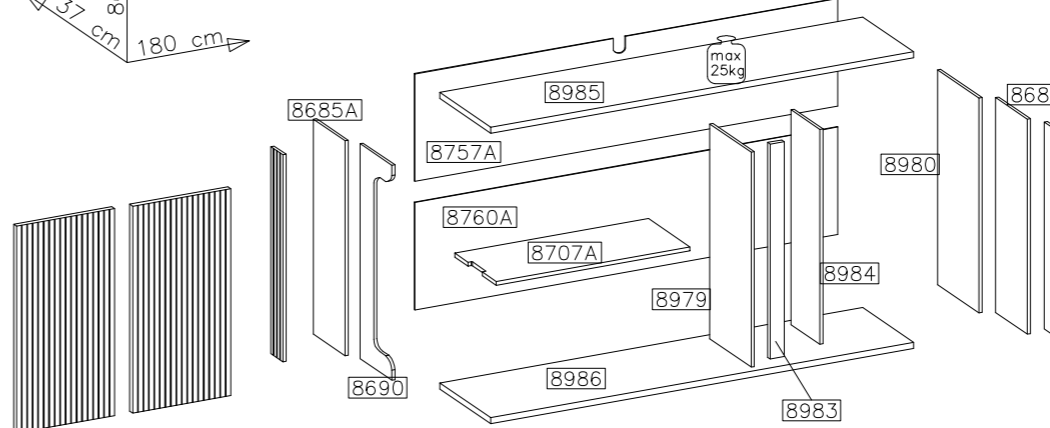
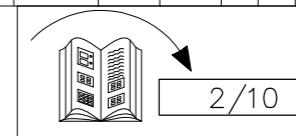
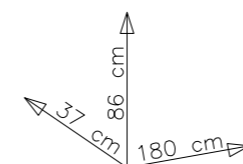


# MOLTO II

-ML13 POPRAWNA INSTRUKCJA/  
CORRECT ASSEMBLY



#	ART. NR	L	W	T	Q	Col.No
1	8685A	785	210	16	1	1
2	8686A	785	160	16	1	1
3	8979	785	314	16	1	1
4	8984	785	240	16	1	1
5	8707A	776	314	16	1	1
6	8690	785	160	16	1	1
7	8980	785	330	16	1	1
8	8983	785	60	16	1	1
9	8985	1800	370	25	1	2
10	8986	1800	370	25	1	2
11	8653	300	140	16	3	2
12	8758	300	140	16	3	2
13	8708A	876	123	16	3	2
14	8757A	1783	399	2,5	1	2
15	8760A	1783	399	2,5	1	2
16	8718A	891	308	2,5	3	2

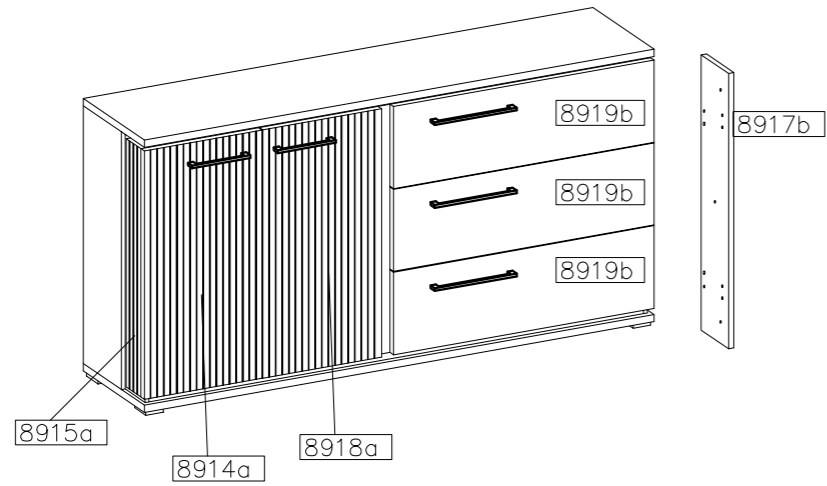


ø8x30mm A 32	ø8x20mm A7 4	ø15/12mm B 6	ø15/12mm C 18	ø15/12mm D1 18	E 18	E1 6	F4 5	Z1 2
L 12	O 1	ø3.0x16mm P1 34	ø4.0x30mm P3 20	ø5.0x13mm P9 20	ø4.0x27mm P18 12	U 12	ø3.0x20mm P7 6	ø35/KR-0 G6 4
J4 4	S2 2	S3 3	M4.0x22mm R2 10	ø3.5x16mm N 1	L 3SET	R PR1		

**MOLTO II**  
-ML13

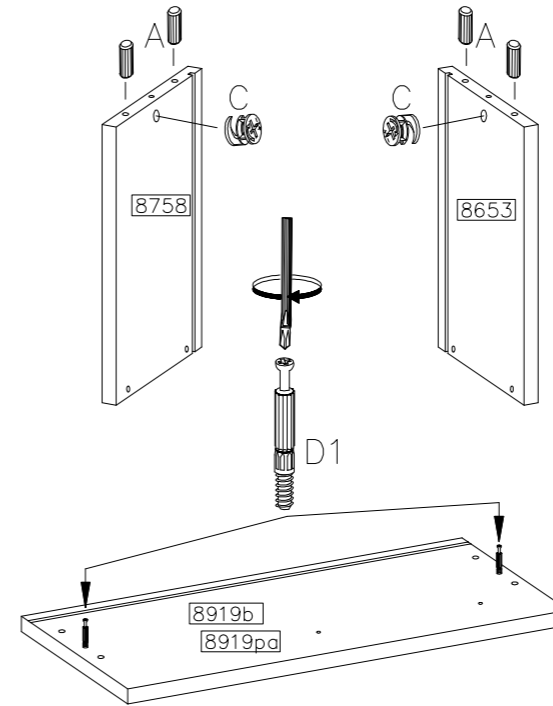
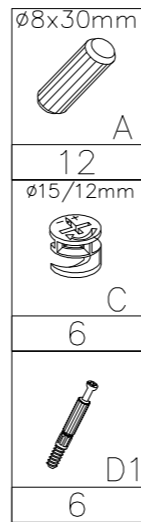
VERSION-01 ARTISAN

#	ART. NR	L	W	T	Q	Col.No
1	8914a	777	400	16	1	3
2	8918a	777	400	16	1	3
3	8915a	777	110	16	1	3
4	8917b	777	160	16	1	3
5	8919b	966	256	16	3	3



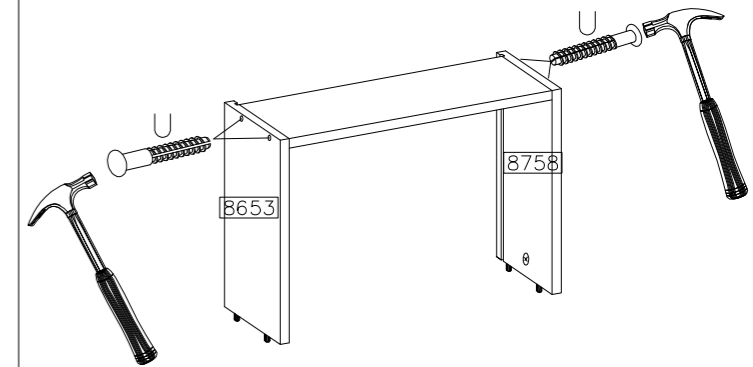
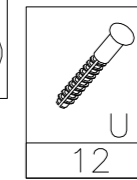
12

3x



13

3x

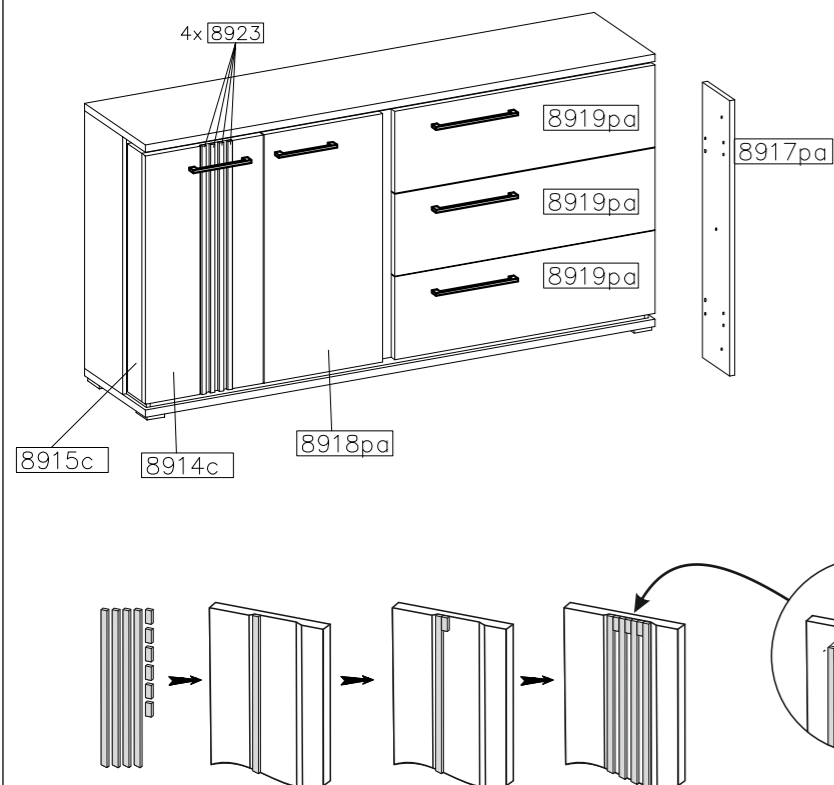


3.0x13mm

VERSION-03 BLACK FRONT

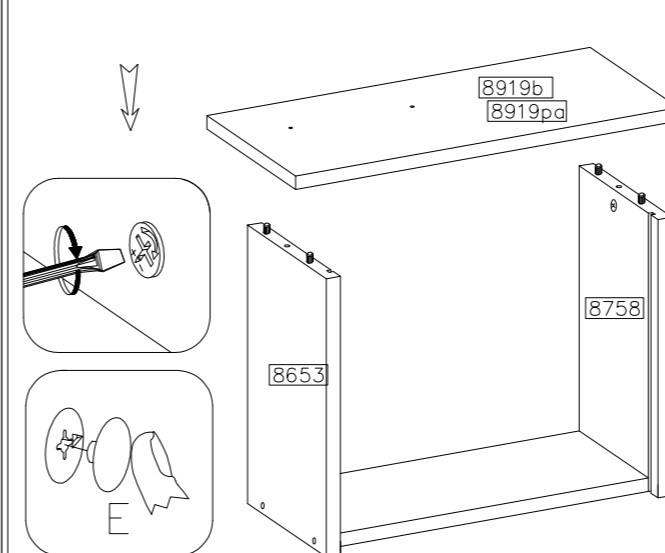
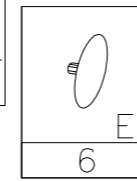
#	ART. NR	L	W	T	Q	Col.No
1	8914c	777	400	16	1	3
2	8918pa	777	400	16	1	3
3	8915c	777	110	16	1	3
4	8917pa	777	160	16	1	3
5	8919pa	966	256	16	3	3
6	8923	776	16	10	4	3

P13  
12



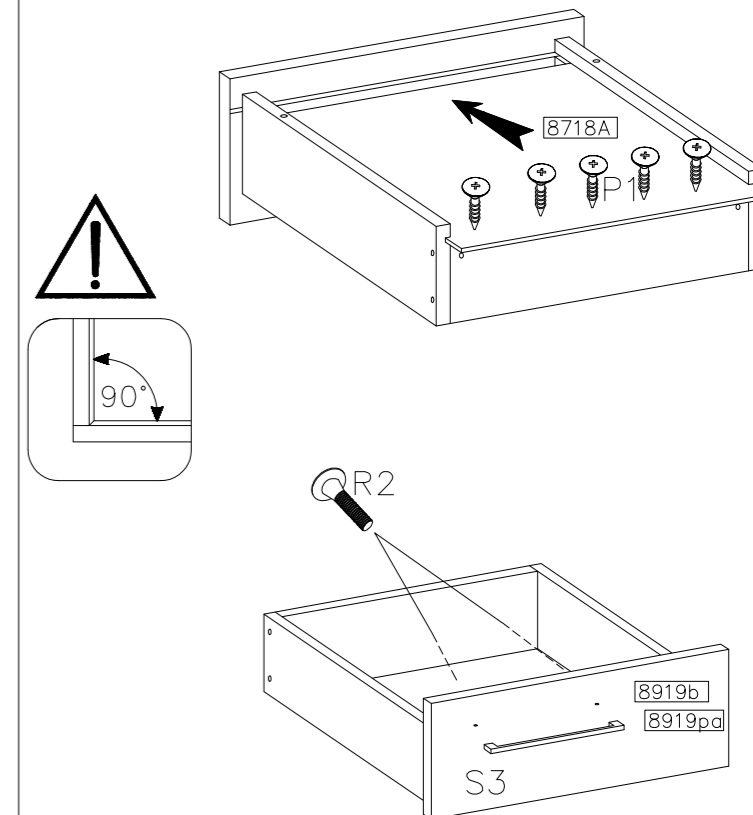
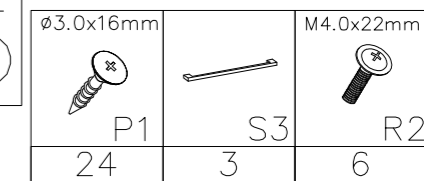
14

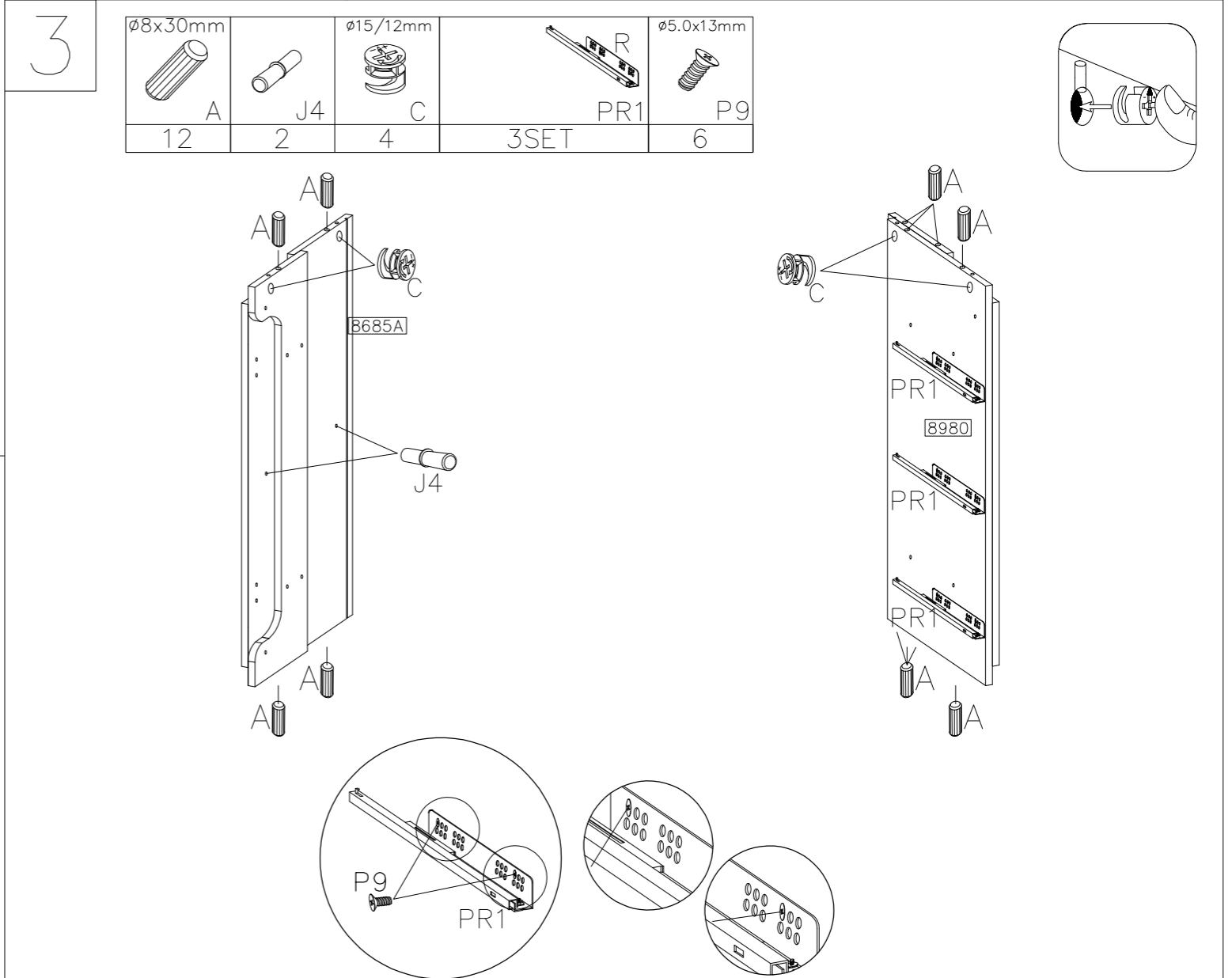
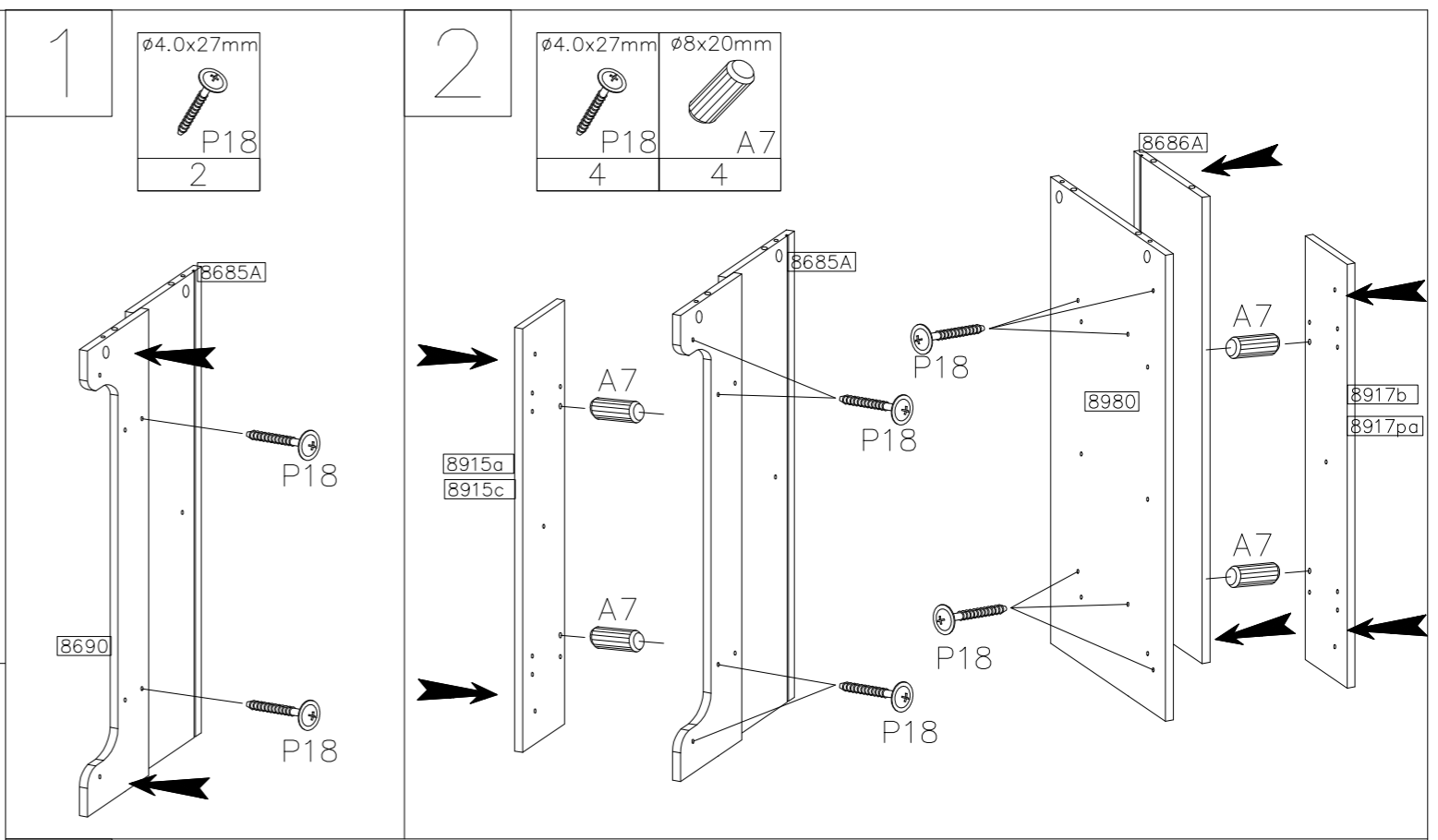
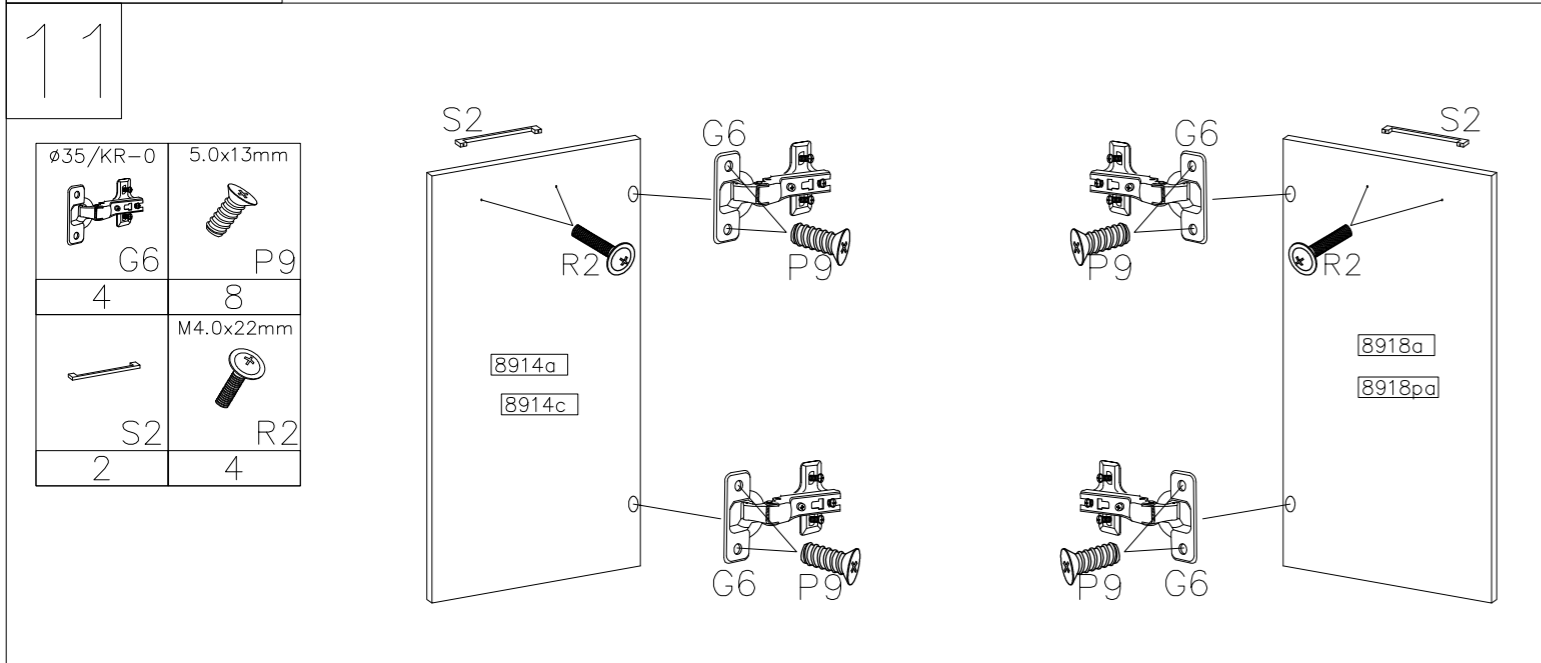
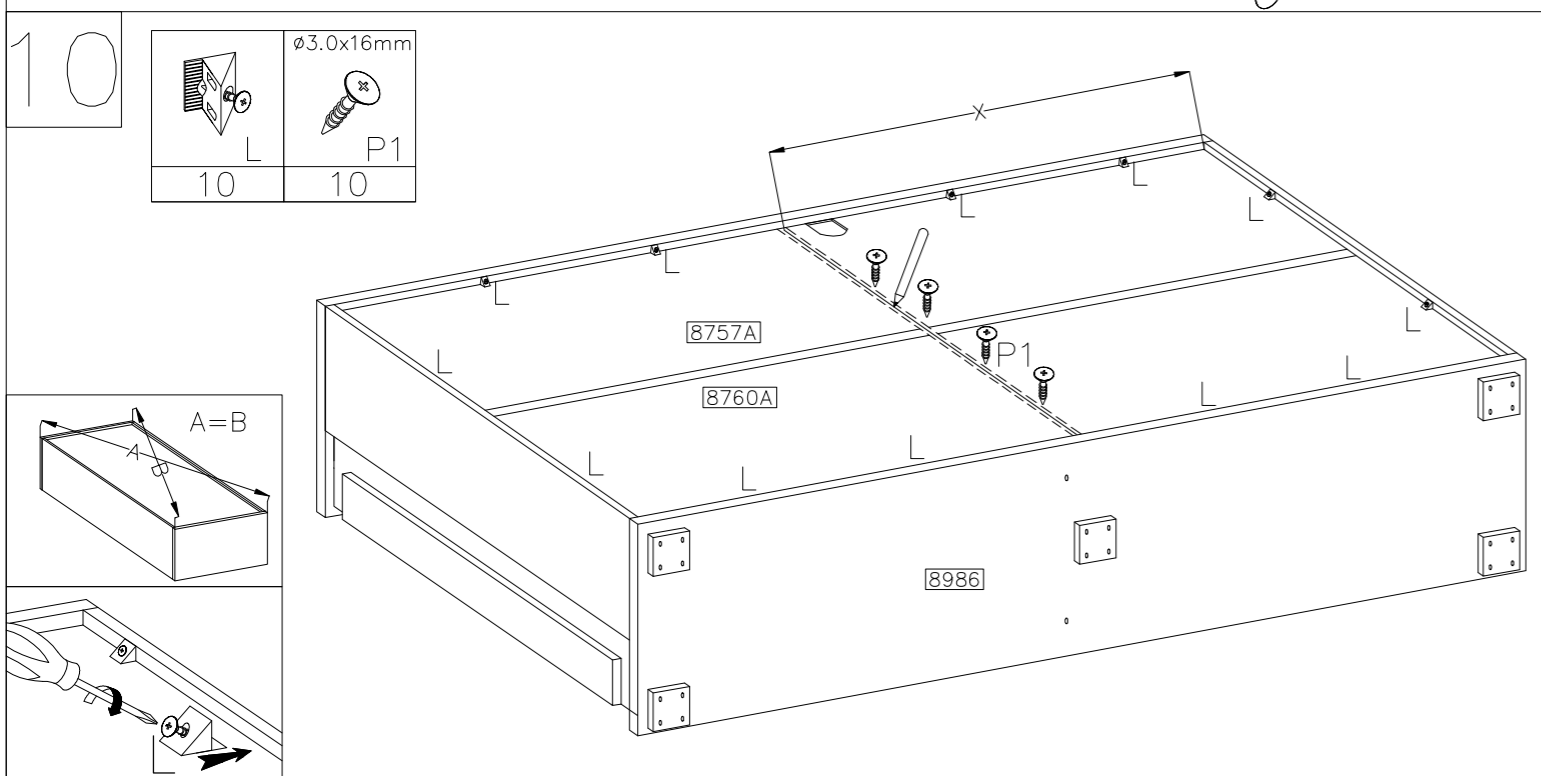
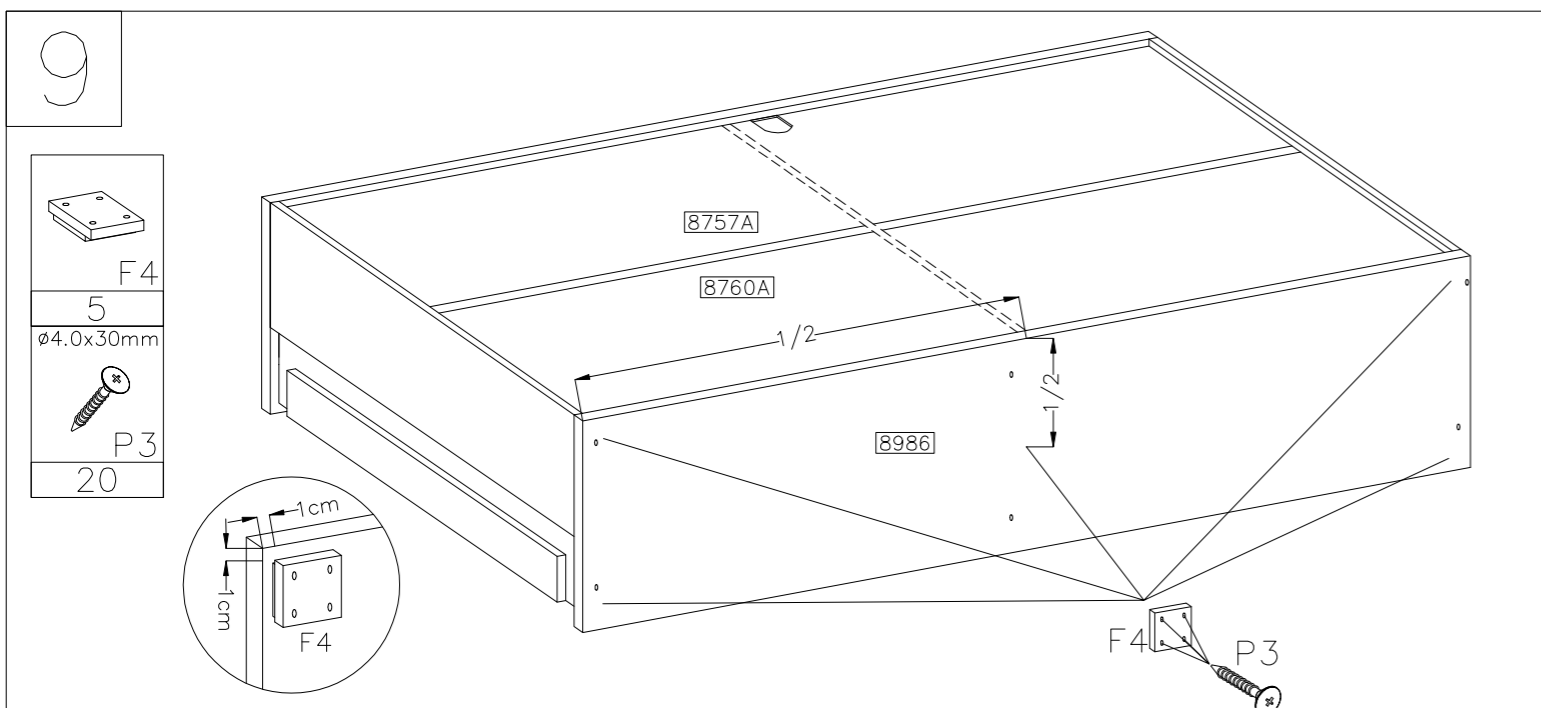
3x



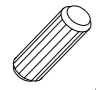



15

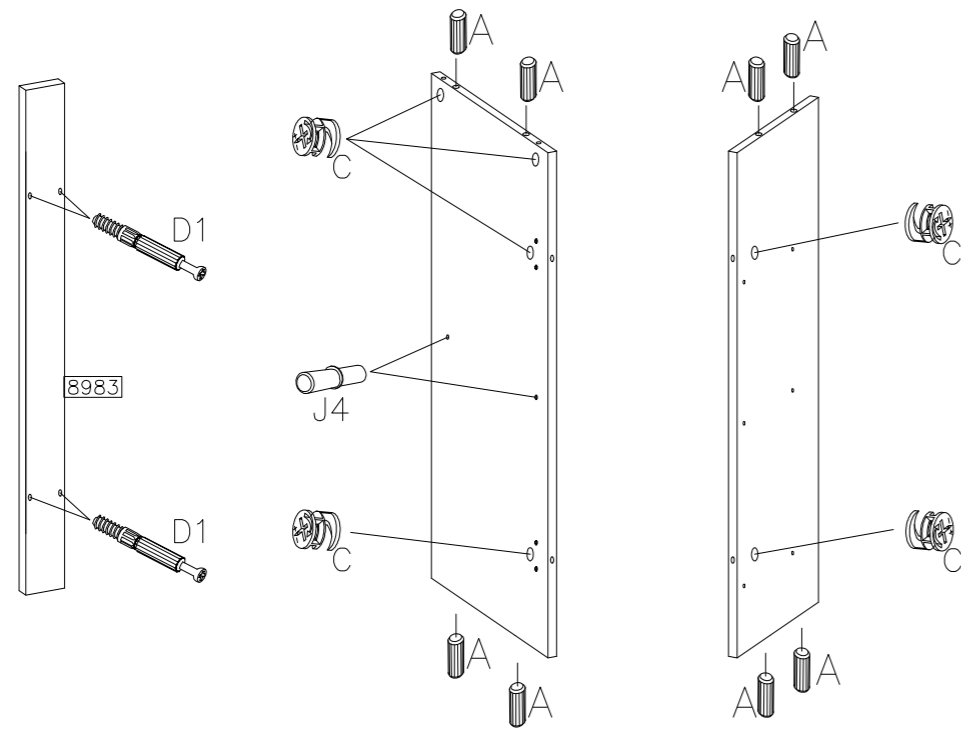
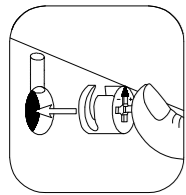
3x



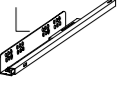




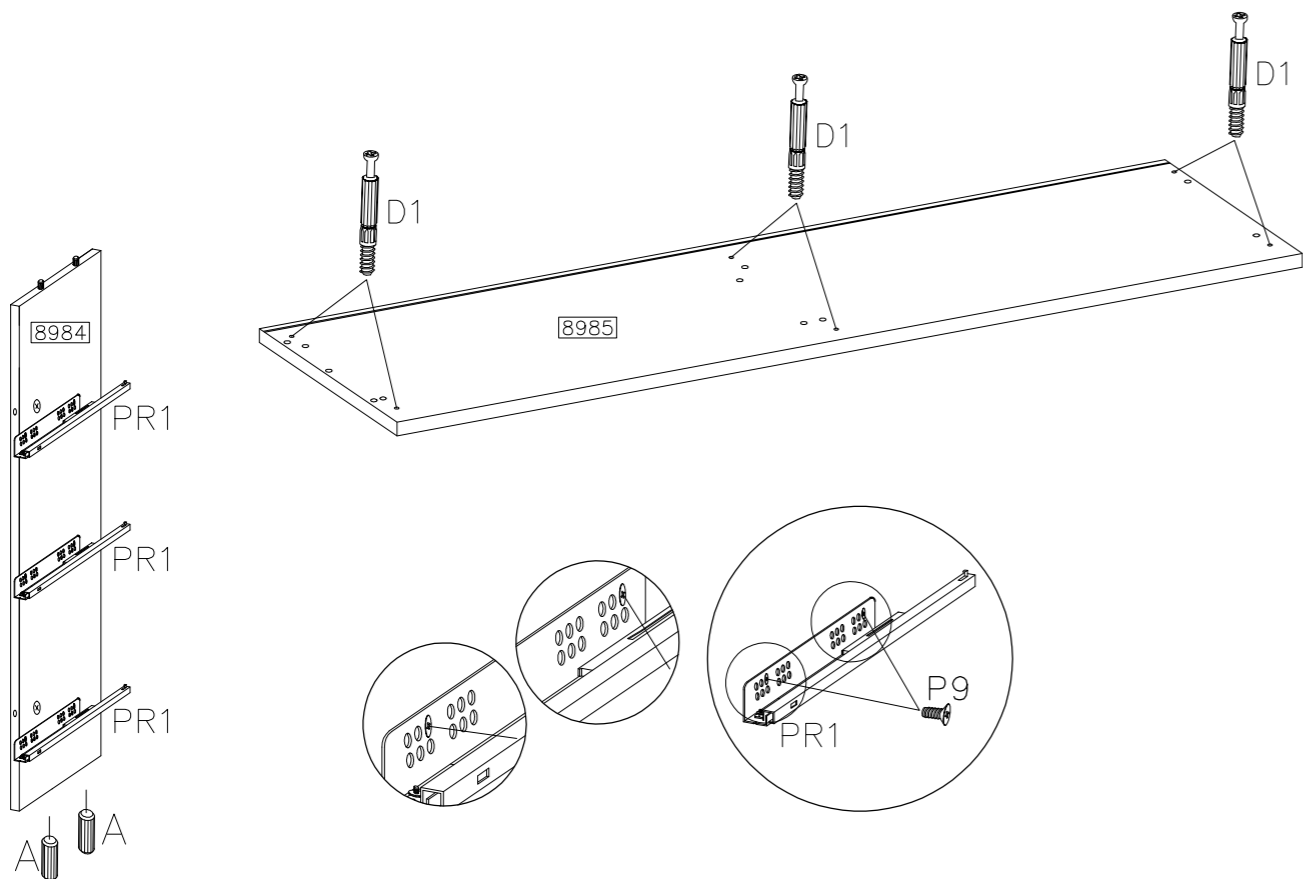
4

$\varnothing 8 \times 30 \text{mm}$		$\varnothing 15 / 12 \text{mm}$	
			
A	J4	C	D1
8	2	6	4




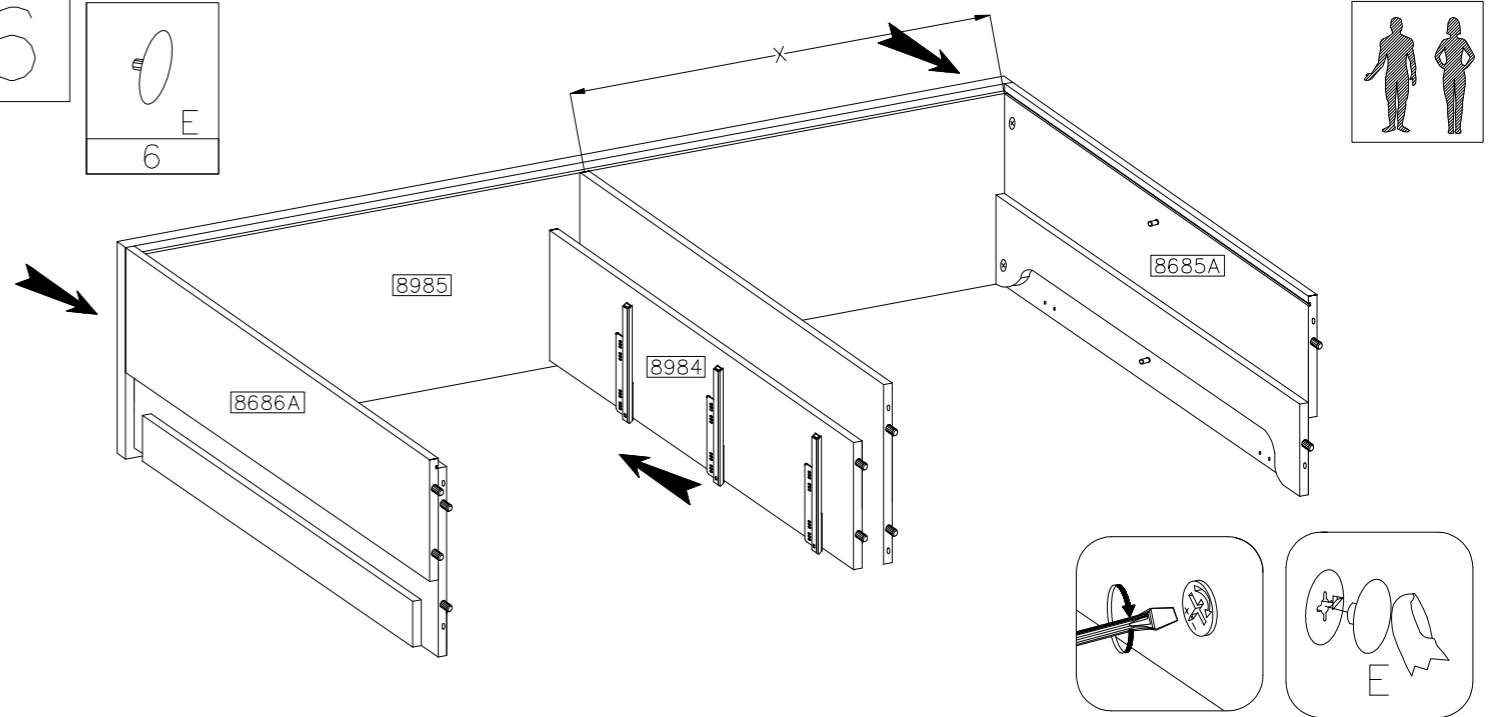
5

	$\varnothing 5.0 \times 13 \text{mm}$	
		
PR1	P9	D1
3SET	6	8

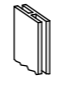


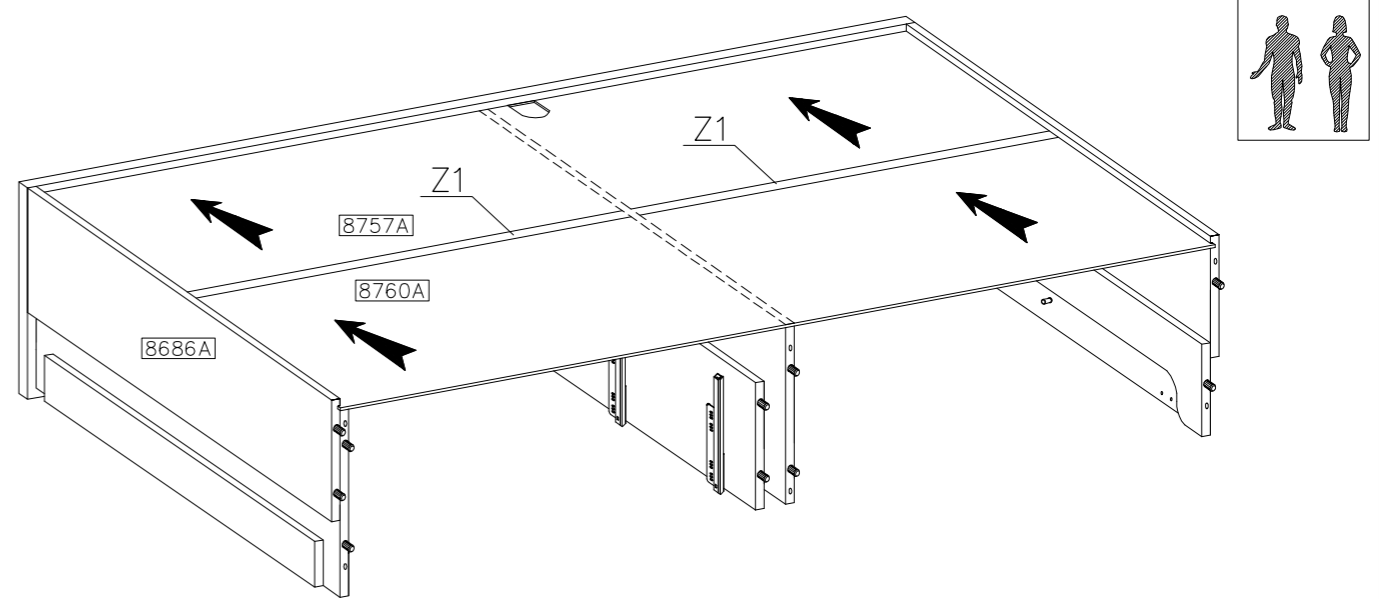
6


E
6






7


Z1
2



8

$\varnothing 6,4 \times 50 \text{mm}$

B
6

O
1

E1
6

